



**Integrated Monitoring
Solutions for Today's
Technology Facilities**

TRIPMASTER XL REPO Switch

FEATURES

- Reliability
- Positive Switch Operation
- Twist to Return Operation
- Clear Protected Cover
- ADA Approved



TM-REPO

The TripMaster REPO (Remote EPO) switch provides a rugged and complete REPO switch solution for data centers and high tech facilities. The TM-REPO comes with N.O contacts and a clear high impact cover.

To operate the switch push in. To release the switch twist and turn. The normally open contacts can be "daisy chained" or home run to the Tripmaster XL for each switch.

SPECIFICATIONS

Model Number

TM-REPO

EPO Switch

Electrical

Power

24VAC @ 40V

EPO Outputs

Form "A" Normally Open Contacts

No. of Outputs

2

Environmental

Temperature

0-125 F

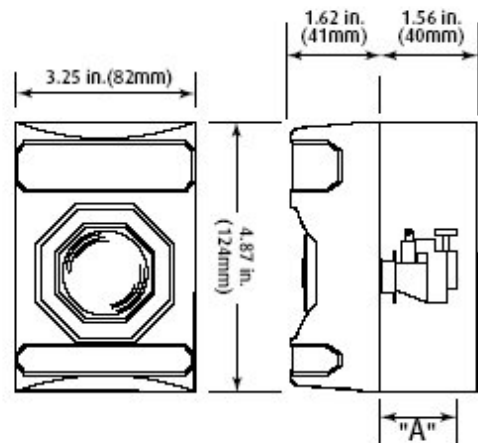
Humidity

5-95%Rh Noncondensing

Wiring Schedule

Input Type	Wire Type	No. Condt.	Wire Size
EPO Input	THHN	2	18-22 Stranded
Remote Reset	THHN	2	18-22 Stranded
Relay Output	THHN	2	18-22 Stranded
Power Input	THHN	3	14-16 Stranded

Dimensions:



TO PROVIDE ADEQUATE CLEARANCE FOR CONTACTS,
(#0, #1, #3, #4) INSTALLATION
MAY REQUIRE: SUB-1027 22-COLOR SPACER

PO Box 2029
Rowlett, Texas 75030-2029
Phone: 214-607-9991
Fax: 214-607-4334
WWW.DARWELLIT.COM

